

Customer Name \_\_\_\_\_

Phone Number \_\_\_\_\_

Grease Seal Diameter \_\_\_\_\_

Outer Bearing Diameter \_\_\_\_\_

Inner Bearing Diameter \_\_\_\_\_

DIM"A" \_\_\_\_\_

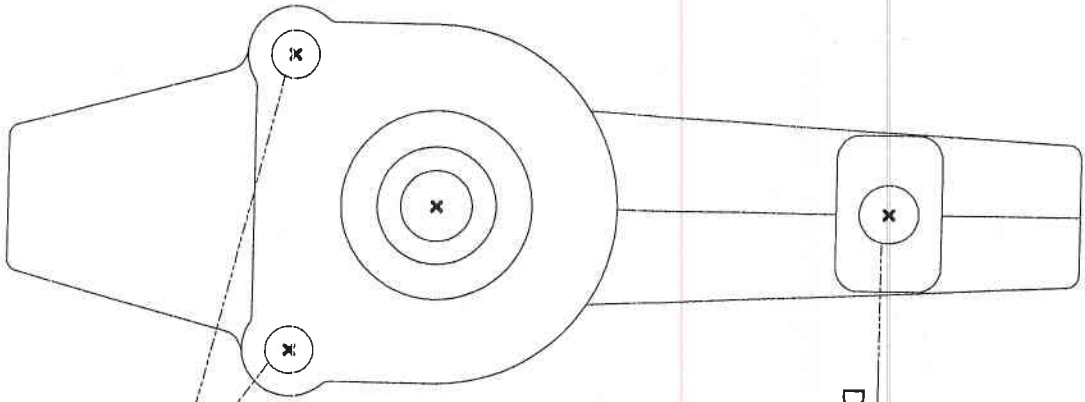
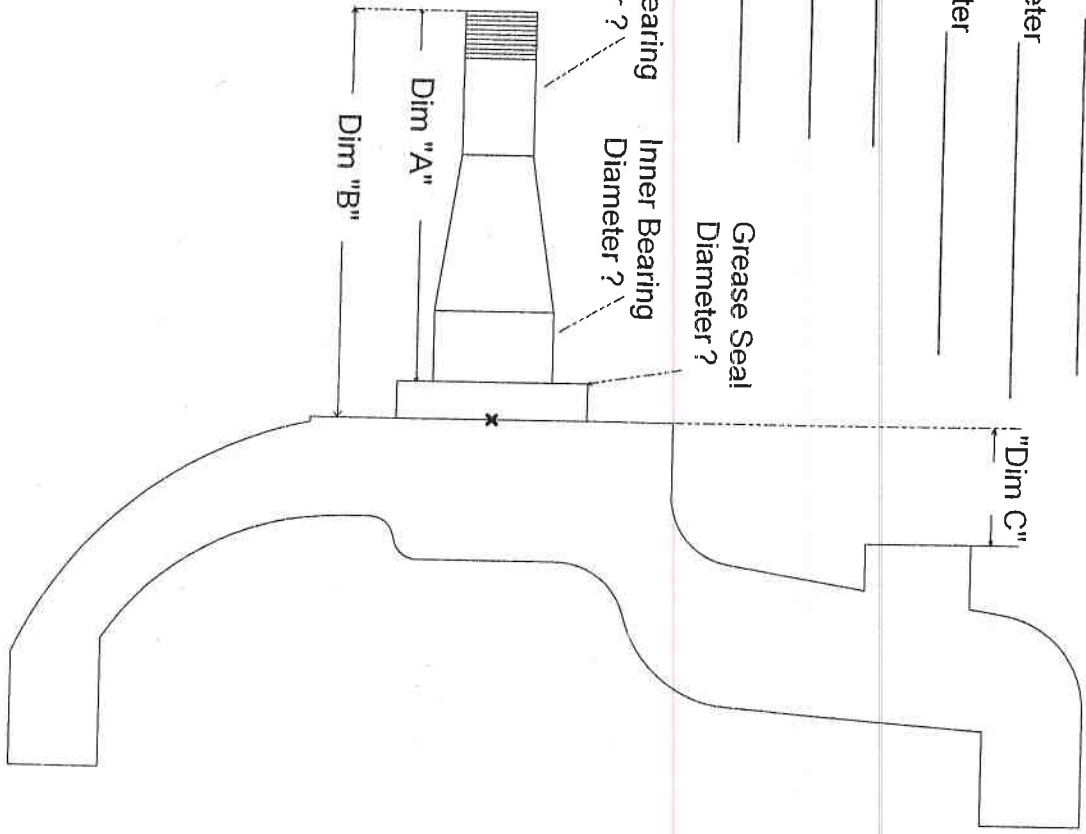
DIM"B" \_\_\_\_\_

DIM"C" \_\_\_\_\_

Grease Seal Diameter ?

Outer Bearing Diameter ?

Inner Bearing Diameter ?



Diameter Of Bolt

Diameter Of Holes